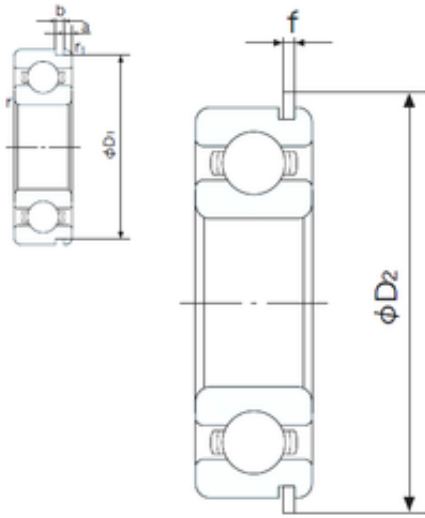




BEARING PRECISION AXLE CORP.



30 mm x 55 mm x 13 mm BDZ38-1J Automotive Bearing For LADA 36x68x26mm

Bearing No. 6006NR

6006NR Bearing 2D drawings and 3D CAD models

Size	30x55x13 mm
Bore Diameter	30 mm
Outer Diameter	55 mm
Width	13 mm
d	30 mm
D	55 mm
B	13 mm
C	13 mm
a	2.08 mm
b	1.35 mm
f	1.12 mm
r min.	1 mm
r1 min.	0.5 mm
D1	52.6 mm
D2	60.7 mm
Weight	0.113 Kg
Basic dynamic load rating (C)	13,2 kN
Basic static load rating (C0)	8,3 kN
(Grease) Lubrication Speed	12000 r/min
Category	Ball Bearings
Inventory	6.0
Manufacturer Name	NACHI
Minimum Buy Quantity	N/A
UNSPSC	31171504
Weight / Kilogram	0.118



BEARING PRECISION AXLE CORP.

EAN	4991893634082
Product Group	B00308
Bore Type	Cylindrical Bore
Configuration	Single Row
Enclosure	Snap Ring Groove with Snap Ring
Bore Size	30 mm
Outside Diameter	55 mm
Width	13 mm
Fillet Radius/Chamfer	1 mm
r1	0.5 mm
Snap Ring Width	1.1 mm
Snap Ring Outside Diameter	60.7 mm
D1 (max)	52.6 mm
a (max)	2.1 mm
b (min)	1.4 mm
Dynamic Load Rating	13,200 N
Static Load Rating	8,300 N
Limiting Speed - Grease	13,000 rpm
Limiting Speed - Oil	15,000 rpm
Factor fo	14.8
Radial Clearance	0.005 to 0.020 mm
da (min)	35 mm
Da (max)	50 mm
Dx (min)	61.5 mm
ra (max)	1 mm
Cy (max)	2.9 mm