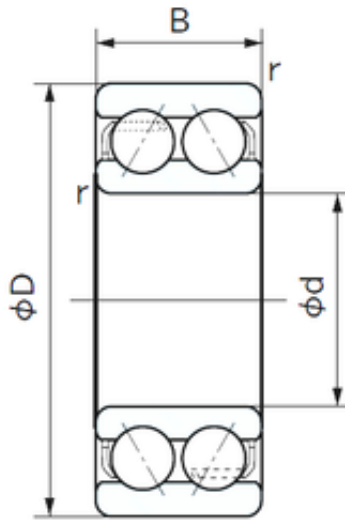




BEARING PRECISION AXLE CORP.



35 mm x 72 mm x 27 mm SET1237/805011C
Truck Bearings Wheel Hub 82*140*110

Bearing No. 5207

5207 Bearing 2D drawings and 3D CAD models

Size	35x72x27 mm
Bore Diameter	35 mm
Outer Diameter	72 mm
Width	27 mm
d	35 mm
D	72 mm
B	27 mm
C	27 mm
Angle ()	30 °
r min.	1.1 mm
Weight	0.430 Kg
Basic dynamic load rating (C)	40 kN
Basic static load rating (C0)	29,5 kN
(Grease) Lubrication Speed	7000 r/min
Category	Angular Contact Ball Bearings
Inventory	4.0
Manufacturer Name	NACHI
Minimum Buy Quantity	N/A
Weight / Kilogram	0.431
EAN	4991893600704
Product Group	B00152
Enclosure	Open
Flush Ground	No
Rolling Element	Ball Bearing



BEARING PRECISION AXLE CORP.

Number of Rows of Balls	Double Row
Precision Class	ABEC 1 ISO P0
Maximum Capacity / Filling Slot	No
Snap Ring	No
Cage Material	Steel
Contact Angle	20 Degree
Internal Clearance	C0-Medium
Number of Bearings	1 (Single)
Inch - Metric	Metric
Long Description	35MM Bore; 72MM Outside Diameter; 27MM Width; Open; No Flush Ground; Ball Bearing; Double Row of Balls; ABEC 1 ISO P0; No Filling Slot; No Snap Ring
Category	Angular Contact Ball Bearing
UNSPSC	31171531
Harmonized Tariff Code	8482.10.50.28
Noun	Bearing
Keyword String	Angular Contact
Manufacturer URL	http://www.nachi.com
Manufacturer Item Number	5207 BNLS
Weight / LBS	0.95
Bore	1.378 Inch 35 Millimeter
Outside Diameter	2.835 Inch 72 Millimeter
Width	1.063 Inch 27 Millimeter
Configuration	Double Row
Bore Type	Cylindrical Bore
Bore Size	35 mm
Fillet Radius/Chamfer	1.1 mm
Dynamic Load Rating	40,000 N
Static Load Rating	29,500 N



BEARING PRECISION AXLE CORP.

Limiting Speed - Grease	7,000 rpm
Limiting Speed - Oil	9,500 rpm
Radial Clearance	0.006 to 0.020 mm
da	42 mm65 mm
Dx	80 mm
ra	1 mm
Cy	4.7 mm