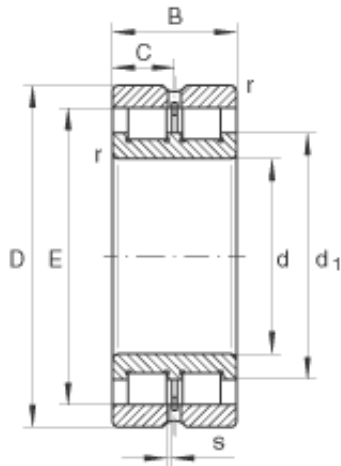




BEARING PRECISION AXLE CORP.



220 mm x 270 mm x 50 mm VKBA5408 Truck
Wheel Hub Bearing / Taper Roller Bearing
105*160*140mm

Bearing No. SL024844

SL024844 Bearing 2D drawings and 3D CAD models

Size	220x270x50 mm
Bore Diameter	220 mm
Outer Diameter	270 mm
Width	50 mm
d	220 mm
D	270 mm
B	50 mm
C	25 mm
d ₁	239,1 mm
E	256,5 mm
r _{min}	1,5 mm
s	4 mm / Axial displacement
	NNCL4844V / Designation to DIN 5412
m	6,2 kg / Weight
C _r	335000 N / Dynamic load rating (radial)
C _{0r}	840000 N / Static load rating (radial)
C _{ur}	90000 N / Fatigue limit load, radial
n _G	1290 1/min / Limiting speed
Category	Cylindrical Roller Bearings
Inventory	0.0
Manufacturer Name	SCHAEFFLER GROUP



BEARING PRECISION AXLE CORP.

Minimum Buy Quantity	N/A
Weight / Kilogram	7.43
EAN	4047643175579
Product Group	B04144
Bore Profile	Straight
Cage Material	None
Precision Class	RBEC 1 ISO P0
Number of Rows of Rollers	Double Row
Separable	Outer Ring - Both Sides
Rolling Element	Cylindrical Roller Bearing
Profile	Complete with Outer and Inner Ring
Snap Ring	No
Internal Clearance	C0-Medium
Retainer	No
Relubricatable	Yes
Inch - Metric	Metric
Other Features	Full Complement 3 Rib Inner Ring Plain Outer Ring Operating Temperature From -30 to 120 Deg
Long Description	220MM Bore; Straight Bore Profile; 270MM Outside Diameter; 50MM Width; RBEC 1 ISO P0; Double Row; Outer Ring - Both Sides Separable; No Snap Ring; Relubricatable; C0-Medium Internal Clearance; No Re
Category	Cylindrical Roller Bearing
UNSPSC	31171547
Harmonized Tariff Code	8482.50.00.00
Noun	Bearing
Manufacturer URL	http://www.ina.com



BEARING PRECISION AXLE CORP.

Manufacturer Item Number	SL024844
Weight / LBS	16.368
Bore	8.661 Inch 220 Millimeter
Outside Diameter	10.63 Inch 270 Millimeter
Width	1.969 Inch 50 Millimeter