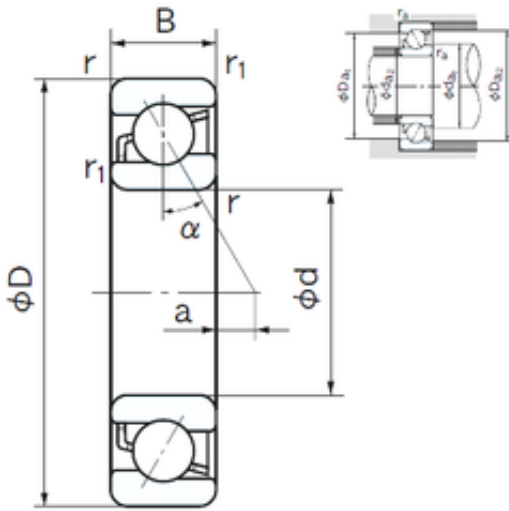




# BEARING PRECISION AXLE CORP.



7317B Bearing 2D drawings and 3D CAD models

85 mm x 180 mm x 41 mm PWKRE35-2RS-XL  
Track Roller Bearing / Cam Follower 35x20x52mm

Bearing No. 7317B

Size	85x180x41 mm
Bore Diameter	85 mm
Outer Diameter	180 mm
Width	41 mm
d	85 mm
D	180 mm
B	41 mm
C	41 mm
Angle ( ° )	40 °
a	35.2 mm
r min.	3 mm
r1 min.	1.1 mm
da min.	99 mm
Da max.	166 mm
ra max.	2.5 mm
Weight	4.90 Kg
Basic dynamic load rating (C)	150 kN
Basic static load rating (C0)	125 kN
(Grease) Lubrication Speed	3000 r/min
Category	Angular Contact Ball Bearings
Inventory	0.0
Manufacturer Name	NACHI
Minimum Buy Quantity	N/A
Weight / Kilogram	4.9



## BEARING PRECISION AXLE CORP.

EAN	4991893858594
Product Group	B00308
Enclosure	Open
Flush Ground	No
Rolling Element	Ball Bearing
Number of Rows of Balls	Single Row
Precision Class	ABEC 1   ISO P0
Maximum Capacity / Filling Slot	No
Snap Ring	No
Cage Material	Steel
Contact Angle	40 Degree
Internal Clearance	C0-Medium
Number of Bearings	1 (Single)
Inch - Metric	Metric
Long Description	85MM Bore; 180MM Outside Diameter; 41MM Width; Open; No Flush Ground; Ball Bearing; Single Row of Balls; ABEC 1   ISO P0; No Filling Slot; No Snap Ring
Category	Angular Contact Ball Bearing
UNSPSC	31171531
Harmonized Tariff Code	8482.10.50.28
Noun	Bearing
Keyword String	Angular Contact
Manufacturer URL	<a href="http://www.nachi.com">http://www.nachi.com</a>
Manufacturer Item Number	7317 B BNLS
Weight / LBS	10.8
Outside Diameter	7.087 Inch   180 Millimeter
Width	1.614 Inch   41 Millimeter
Bore	3.346 Inch   85 Millimeter
Configuration	Single Row



## BEARING PRECISION AXLE CORP.

Bore Type	Cylindrical Bore
Bore Size	85 mm
Fillet Radius/Chamfer	3 mm
r1	1.1 mm
Dynamic Load Rating	150,000 N
Static Load Rating	125,000 N
Limiting Speed - Grease	3,000 rpm
Limiting Speed - Oil	4,000 rpm
da1 (min)	99 mm
da2 (min)	92 mm
Da1 (max)	166 mm
Da2 (max)	173 mm
ra (max)	2.5 mm
ra1 (max)	1 mm