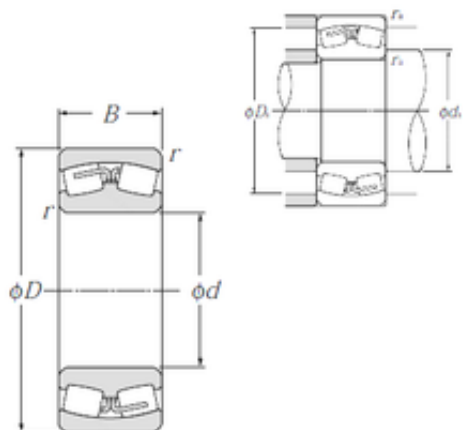




BEARING PRECISION AXLE CORP.

23280B NTN Spherical Roller Bearings



Bearing No. 23280B

Size	400x720x256 mm
Bore Diameter	400 mm
Outer Diameter	720 mm
Width	256 mm
d	400 mm
D	720 mm
B	256 mm
C	256 mm
r min.	6 mm
da min.	428 mm
Da max.	692 mm
ra max.	5 mm
Weight	457 Kg
Basic dynamic load rating (C)	5 850 kN
Basic static load rating (C0)	10 600 kN
(Grease) Lubrication Speed	400 r/min
(Oil) Lubrication Speed	520 r/min
Calculation factor (e)	0,37
Calculation factor (Y0)	1,77
Calculation factor (Y1)	1,81

23280B Bearing 2D drawings and 3D CAD models